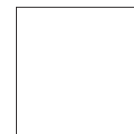




Front/Carcase, applications	Colour code
alpine white, applications oak solid wood	AD134 AD285 (XL-wardrobes)



alpine white

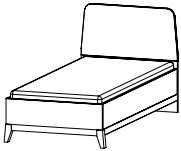
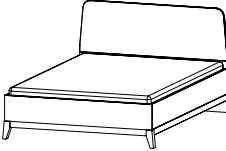
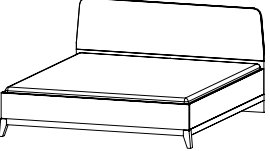




handles/handle strips and feet solid wood oak

■ For information on extras available for wardrobes, see **EXTRAS PB/PH.**

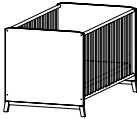





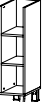



Front/Carcase, applications	Colour code
alpine white, applications Solid wood oak	AD134

BEDS			
			
bed	bed	bed	
90/200 ↔ 99 cm ↓ 97 cm ↗ 207 cm BG 90	140/200 ↔ 149 cm ↓ 97 cm ↗ 207 cm BG 40	180/200 ↔ 189 cm ↓ 97 cm ↗ 207 cm BG 80	
Article	Price	Article	Price
8100	@I_AD134_8100	8107	@I_AD134_8107
8111	@I_AD134_8111		


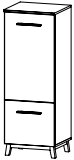

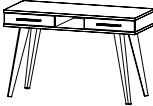
MATCHING PIECES			
			
bedside table	bedside tables, pair		
1 drawer	1 drawer		
↔ 47 cm ↓ 41 cm ↗ 42 cm	↔ 47 cm ↓ 41 cm ↗ 42 cm		
Article	Price	Article	Price
63M0	@I_AD134_63M0	63M8	@I_AD134_63M8

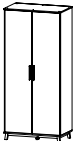
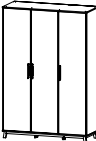
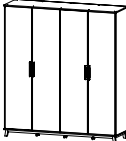
Front/Carcase, applications	Colour code
alpine white, applications Solid wood oak	AD134

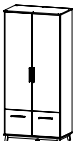
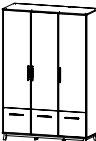
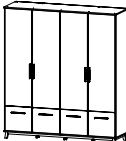
BEDS									
	cot 3 times height-adjustable 70/140 ↔ 80 cm ↓ 79 cm ↗ 144 cm BG 70	 pair of bed sides ↔ 141 cm ↓ 24 cm ↗ 2 cm	PLEASE NOTE! The cot can easily be transformed to a child's bed by using extra bed panels.	 bedding box on rollers ↔ 59 cm ↓ 16 cm ↗ 108 cm					
						Artikel	Preis	704Q	@I_AD134_704Q
						71B0	@I_AD134_71B0	9901	@I_AD134_9901

MATCHING PIECES		changing unit							
	changing unit 1-door, 2 drawers ↔ 116 cm ↓ 98 cm ↗ 79 cm	 shelf unit ↔ 23 cm ↓ 87 cm ↗ 40 cm	PLEASE NOTE! For the changing unit a wall mounting is required. Combination example for the shelf unit (mounted one-sided or two-sided). 	 wall rack ↔ 92 cm ↓ 22 cm ↗ 24 cm					
						Artikel	Preis	036H	@I_AD134_036H
						646R	@I_AD134_646R	8869	@I_AD134_8869

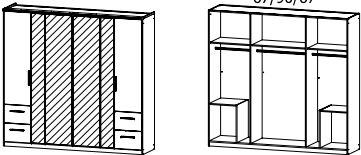
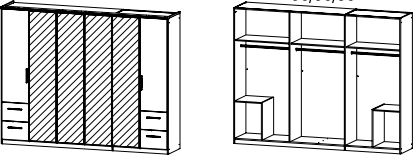
Front/Carcase, applications	Colour code
alpine white, applications Solid wood oak	AD134

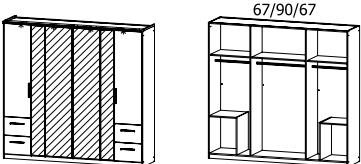
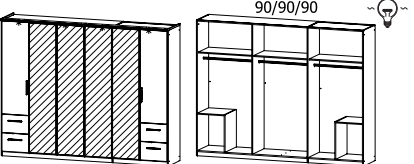
MATCHING PIECES									
									
chest		chest		shelf unit		desk			
1-door, hinged right, 3 drawers		1-door, 1 drawer		with 1 drawer		2 drawers, niche			
↔ 116 cm ↓ 89 cm ↗ 42 cm		↔ 47 cm ↓ 127 cm ↗ 42 cm		↔ 47 cm ↓ 127 cm ↗ 42 cm		↔ 120 cm ↓ 75 cm ↗ 50 cm			
Artikel	Preis	7378	@I_AD134_7378	7376	@I_AD134_7376	8403	@I_AD134_8403	7505	@I_AD134_7505

WARDROBES		hinged door robes							
For information on extras available for wardrobes, see EXTRAS PH.									
		90		90/45		90/90			
		hinged door wardrobe		hinged door wardrobe		hinged door wardrobe			
		2-door		3-door		4-door			
↔ 92 cm ↓ 203 cm ↗ 53 cm		↔ 136 cm ↓ 203 cm ↗ 53 cm		↔ 181 cm ↓ 203 cm ↗ 53 cm					
Article	Price	3500	@I_AD134_3500	3501	@I_AD134_3501	3502	@I_AD134_3502		

WARDROBES		hinged door robes							
For information on extras available for wardrobes, see EXTRAS PH.									
		90		90/45		90/90			
		hinged door wardrobe		hinged door wardrobe		hinged door wardrobe			
		2-door, 2 drawers		3-door, 3 drawers		4-door, 4 drawers			
↔ 92 cm ↓ 203 cm ↗ 53 cm		↔ 136 cm ↓ 203 cm ↗ 53 cm		↔ 181 cm ↓ 203 cm ↗ 53 cm					
Article	Price	3613	@I_AD134_3613	3612	@I_AD134_3612	3615	@I_AD134_3615		

Front/Carcase, applications	Colour code
alpine white, applications Solid wood oak	AD285

WARDROBES		hinged door robes with cornice.				
<p>For information on extras available for wardrobes, see EXTRAS PB.</p> <p>Please order with colour code AD285!</p>						
		<p>hinged door wardrobe</p> <p>6-door, 4 mirror doors, 4 drawers, with cornice</p> <p>↔ 226 cm ↓ 212 cm ↗ 58 cm</p>		<p>hinged door wardrobe</p> <p>6-door, 4 mirror doors, 4 drawers, with cornice</p> <p>↔ 271 cm ↓ 212 cm ↗ 58 cm</p>		
	Article	Price	03P0	@I_AD134_03P0	03P1	@I_AD134_03P1

WARDROBES		hinged door robes, cornice with lighting.				
<p>For information on extras available for wardrobes, see EXTRAS PB.</p> <p>Please order with colour code AD285!</p>						
		<p>hinged door wardrobe</p> <p>6-door, 4 mirror doors, 4 drawers, with lighting</p> <p>↔ 226 cm ↓ 212 cm ↗ 58 cm</p>		<p>hinged door wardrobe</p> <p>6-door, 4 mirror doors, 4 drawers, with lighting</p> <p>↔ 271 cm ↓ 212 cm ↗ 58 cm</p>		
	Article	Price	03P2	@I_AD134_03P2	03N9	@I_AD134_03N9

This luminaire contains built-in LED lamps of the energy classes A++ - A*. The lamps cannot be replaced in the luminaire.

*) on a scale from A++ (highest efficiency) to E (lowest efficiency)

CARLSSON

PACK'S

@HEADER_LEFT1.....
@HEADER_LEFT2.....

@HEADER_CENTER1.....
@HEADER_CENTER2.....

@HEADER_RIGHT1.....
@HEADER_RIGHT2.....

